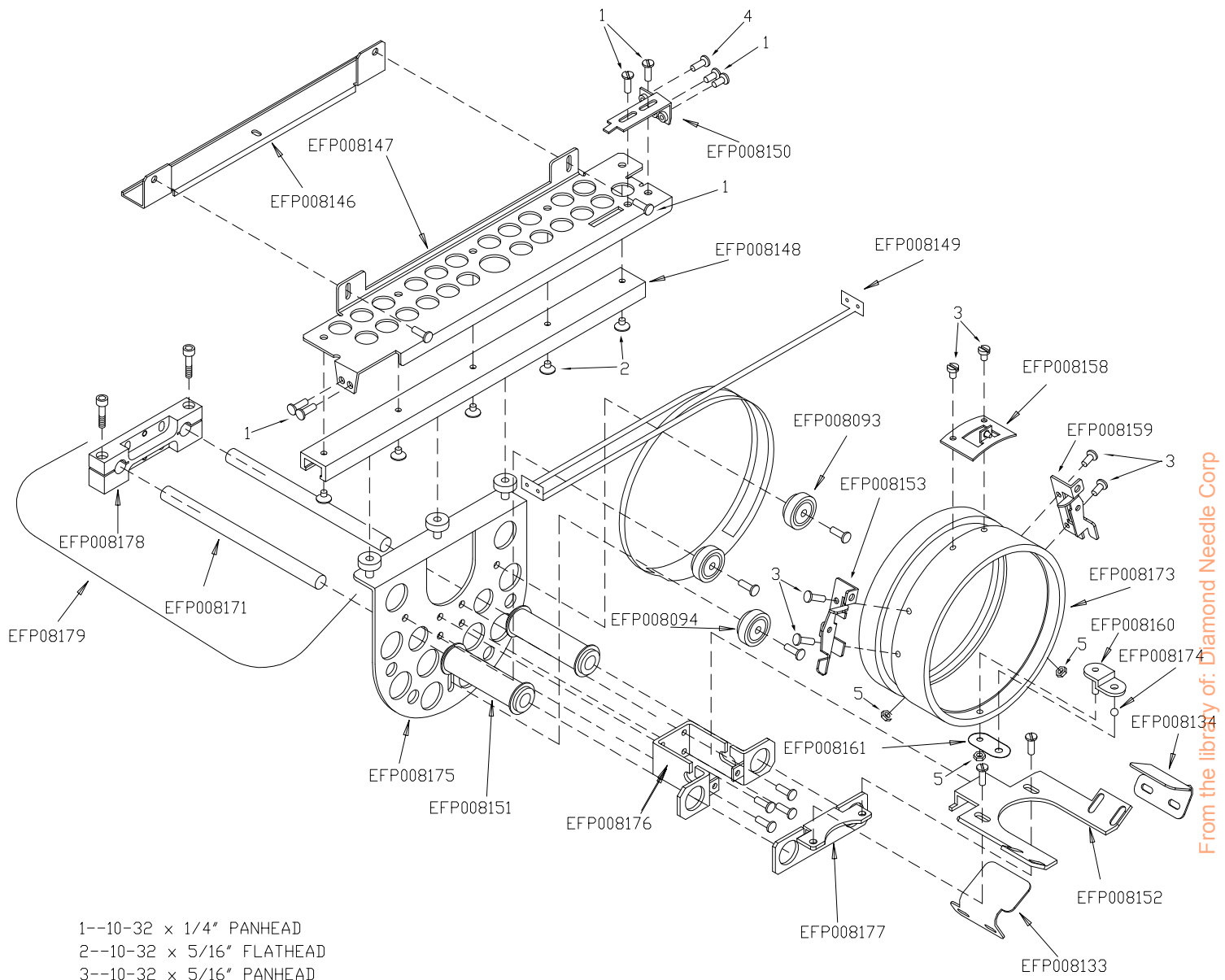


1 - 10-32 KEP NUT

ADVANTAGE CAP FRAME
EFP008111



From the library of: Diamond Needle Corp

- 1--10-32 x 1/4" PANHEAD
- 2--10-32 x 5/16" FLATHEAD
- 3--10-32 x 5/16" PANHEAD
- 4--10-32 x 3/4" PANHEAD
- 5--10-32 KEPNUT

ADVANTAGE
CAP FRAME DRIVE UNIT
EFP008126

